

物聯聲光警報器



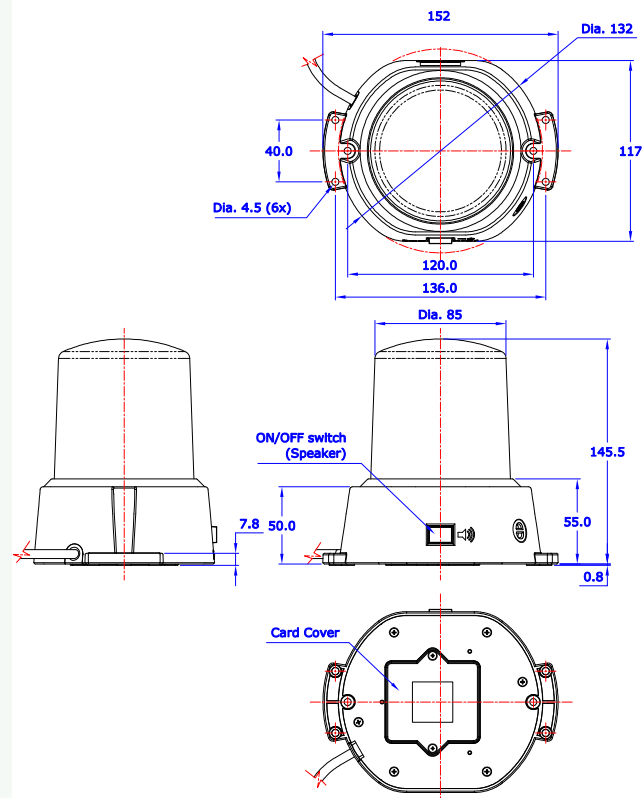
UWB 精準定位TAG，採用UWB 無線雙向高頻通訊，結合不同的外殼的外觀特性，以配合不同的環境來使用，並可以隨時判斷狀況與即時顯示，非常適合使用在人員及物體的室內定位使用，或是其他的各種應用，接受硬體及軟體及外觀面板的客製化設計服務。



产品规格

1. 通訊規範及頻段：802.15.4a UWB 3.25GHz~6.75GHz
2. 傳輸距離：最大可視距離 100米
3. 通訊方式：UWB / NB-IoT
4. 報警方式：喇叭高音及LED旋轉報警
5. 安裝方式：外掛式
6. 電池容量及充電：DC +8V~55V（寬電壓）
7. 外觀尺寸及重量：直徑157×寬117×高143 mm
重量：460g(不含支架，線材)
8. 防護等級：IP55，防爆防塵防潑水，可適合惡劣環境
9. 產品編號：UTAG-SL90F-NB
10. 應用場合：物体定位 / 防撞報警
11. 功能描述：物聯聲光警報器整合了UWB及GPS模組，可以將防撞的各種接近紀錄收集並由NB-IOT傳送至雲端，以方便能夠及時掌握，以下為其包括的項目
 - 手機端的配合應用程序
 - 地圖上的重機位置
 - 重機與TAG的接近紀錄訊息
 - 重機移動的警戒區通知，如不正常的移動

結構尺寸圖



*尺寸許可差±5%
*尺寸公差依實際產品量為準



Audible LED Beacon-IoT



UWB tag adopts UWB wireless two-way high-frequency communication. A number of tag designs are made to meet different environmental conditions. The technology and application enable to detect unexpected incidents and to monitor real-time locations of mobile objects. Besides, the provision of API enables to integrate with customer's existing software. The RTLS system is designed to be scalable so that it can be easily deployed for tracking hundreds of objects. The firmware and hardware can be customized for customer's requirements.



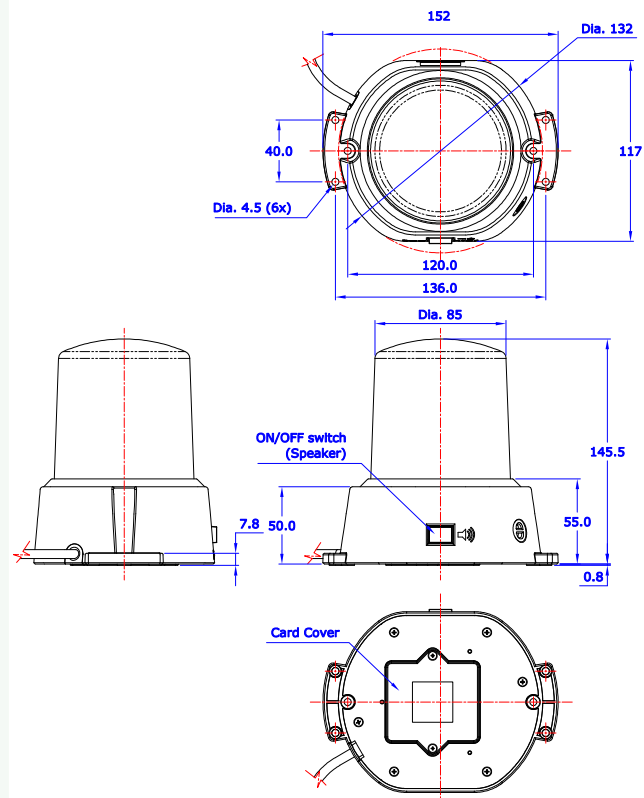
■ Specifications

1. Protocol & Frequency : 802.15.4a UWB 3.25GHz~6.75GHz
2. Coverage : Maximum 100M line-of-sight
3. Communication mode : UWB / NB-IoT
4. Alarm mode : Speaker treble and LED rotation alarm
5. Installation mode: wall-hanging
6. Power : DC +8V~55V(Wide voltage)
7. Dimension & Weights : body 157×117×143(mm)/ 460g (Without bracket and wire)
8. Protection level : IP55,Dustproof and waterproof, suitable for harsh environments
9. Model No : UTAG-SL90F-NB
10. Applied area: Assets positioning and located alarm
11. Function description: Suitable application: IoT audible and visual alarm system is a combination of UWB, GPS module, and NB-IoT module. This system offers convenience to the management team by allowing access to contact history between devices at all times.

Below are the highlighted features:

- Client-side mobile application
- Heavy-duty vehicle on map location
- Contact history between tags and vehicles
- Geo-fence for tags and vehicles and any unauthorized activity.

■ Dimension



- * Allowable error of dimension: $\pm 5\%$
- * The dimensional tolerance shall be subject to the actual product quantity

