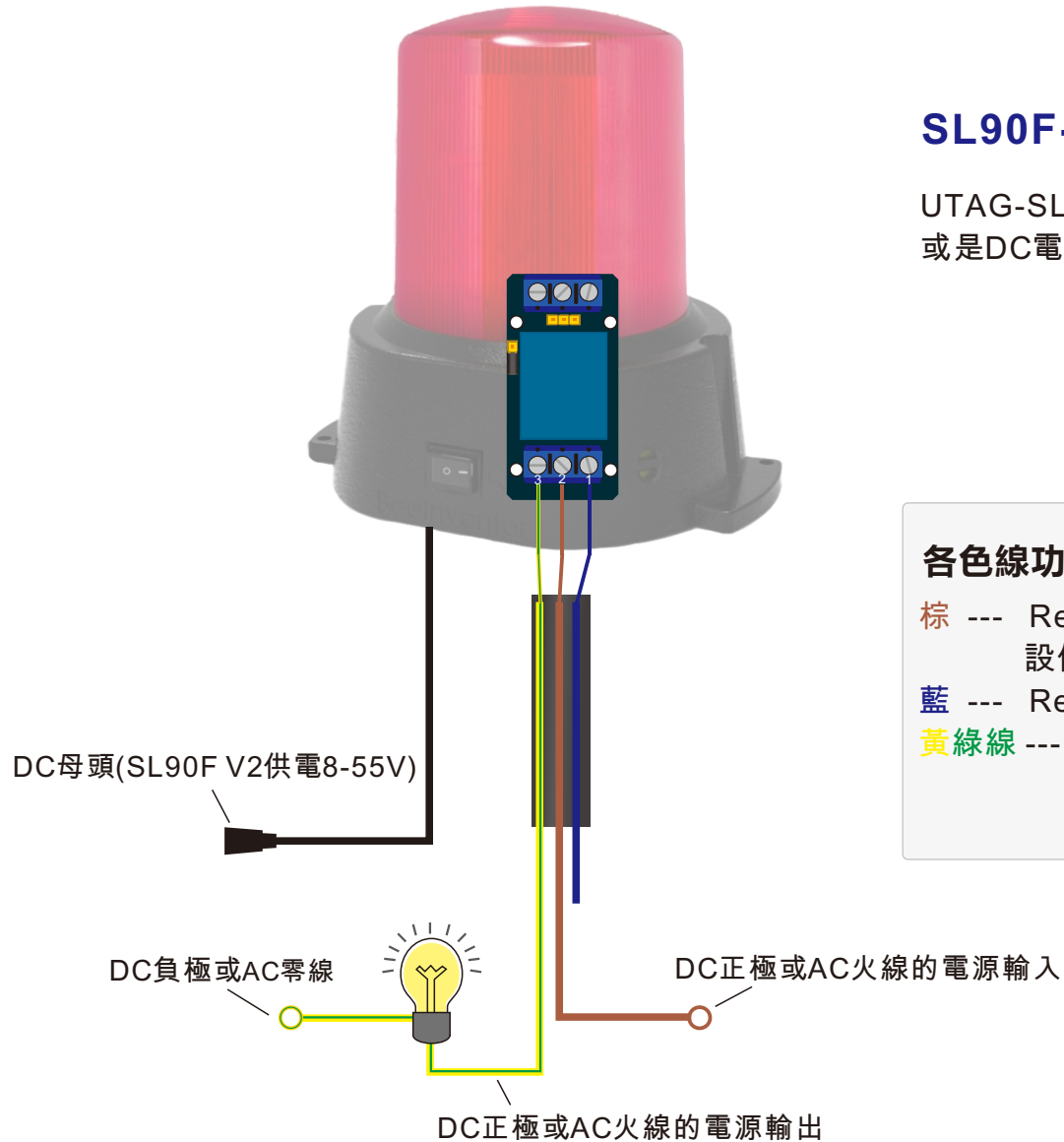


## SL90F-R V2 常開接法示意圖

UTAG-SL90F-R V2提供Relay 常閉.常開.Com 接線，來控制外接設備的AC或是DC電壓輸入(AC限制在10A/250VAC，DC限制在10A/30VDC以內)。

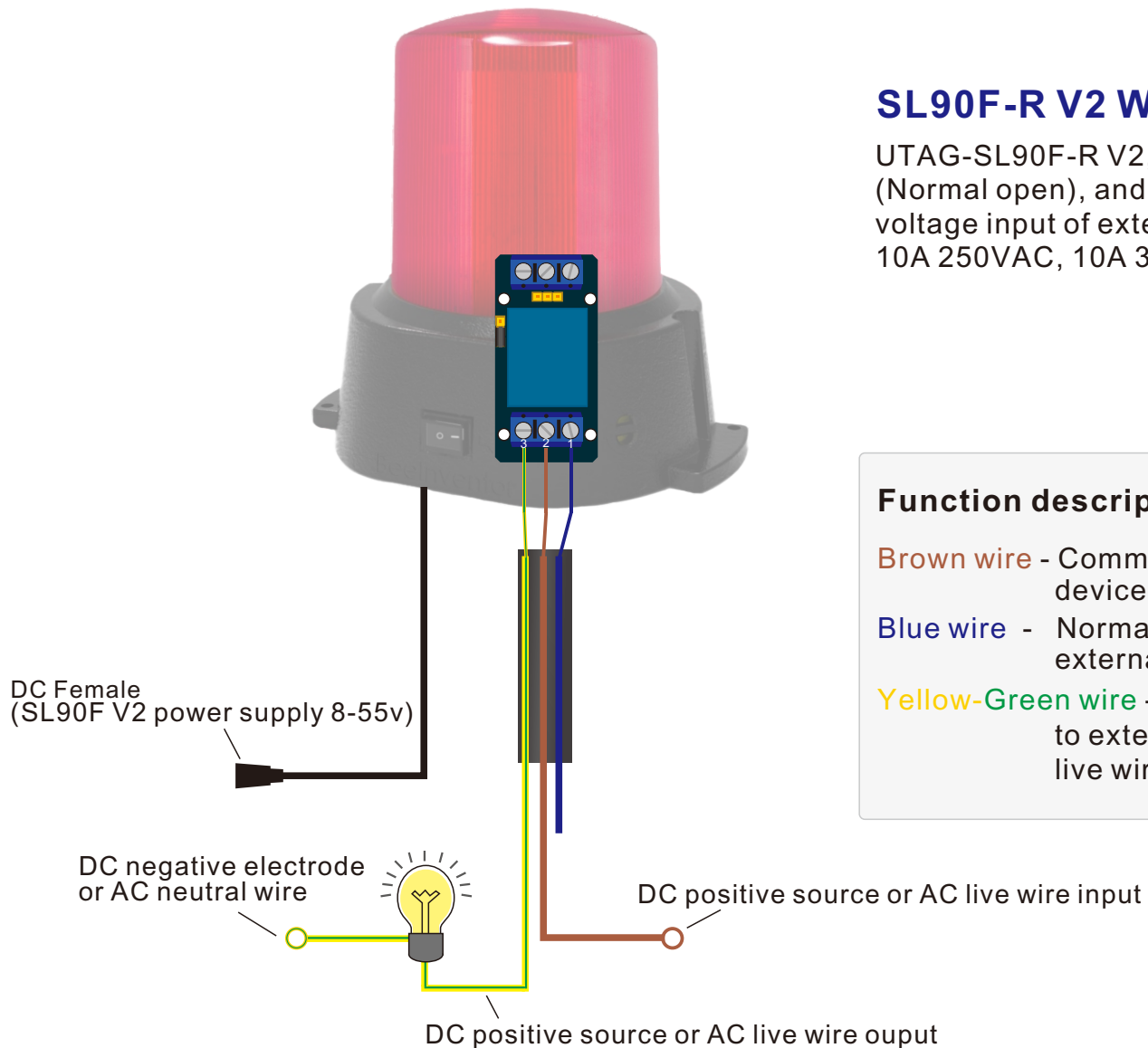


### 各色線功能說明

- 棕 --- Relay公共端，輸入外接設備電源DC正極，或交流電火線，設備的DC負極-GND，AC零線則直接接設備，不介接在SL90F上
- 藍 --- Relay NC常閉端，輸出 DC正極，或交流電火線
- 黃綠線 --- Relay NO常開端，輸出 DC正極，或交流電火線

## SL90F-R V2 Wiring Diagram - Normally Open

UTAG-SL90F-R V2, which provides Relay's N.C (Normal closed), N.O (Normal open), and Com contact wiring to control the AC or DC voltage input of external devices. Relay specification limit, 10A 250VAC, 10A 30VDC.



### Function description of each color line

- Brown wire** - Common contact of Relay. Input, connect to external device power (DC positive source or AC live wire)
- Blue wire** - Normally closed contact of Relay. Output, connect to external device power (DC positive source or AC live wire)
- Yellow-Green wire** - Normally open contact of Relay. Output, connect to external device power supply (DC positive source or AC live wire)