

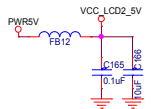
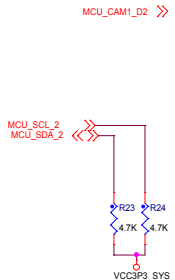
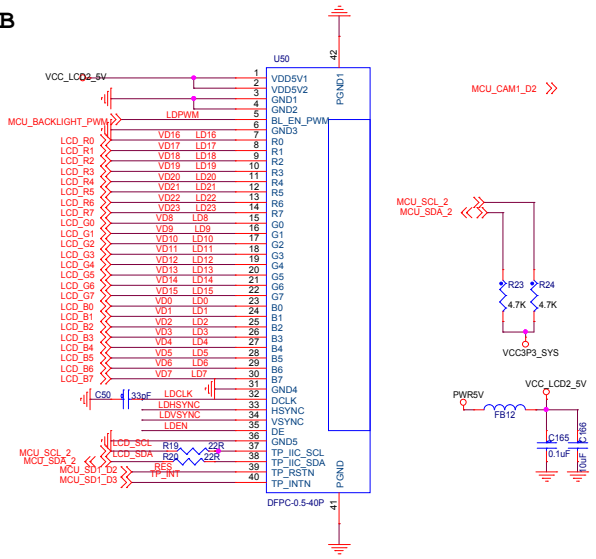
LVDS

RGB

- MCU_LVDS_Y3P >>>
 - MCU_LVDS_Y3M >>>
 - MCU_LVDS_CLKP >>>
 - MCU_LVDS_CLKM >>>
 - MCU_LVDS_Y2P >>>
 - MCU_LVDS_Y2M >>>
 - MCU_LVDS_Y1P >>>
 - MCU_LVDS_Y1M >>>
 - MCU_LVDS_Y0P >>>
 - MCU_LVDS_Y0M >>>
 - MCU_SD1_D1 >>>
 - MCU_CAM1_D2 >>>
 - MCU_SD1_D3 >>>
 - MCU_SD1_D2 >>>
 - MCU_BACKLIGHT_PWM >>>
- 明緯 正 2018 0205

- MCU_SCL_1 >>>
- MCU_SDA_1 <<<
- MCU_GPIOC2 >>>
- MCU_SD1_CLK >>>

- LD3V3CS >>>
- LDEN >>>
- LDVSYNC >>>
- LDHSYNC >>>
- LDCLK >>>
- LDPWM >>>



| | | | |
|-------|-----------------------------|-------|--------|
| file | MESII_V01 | | |
| Size | Document Number | | Rev |
| B | LCD | | 01.00 |
| Date: | Tuesday, September 25, 2018 | Sheet | 3 of 7 |