

UWB Audible LED Beacon-mobile



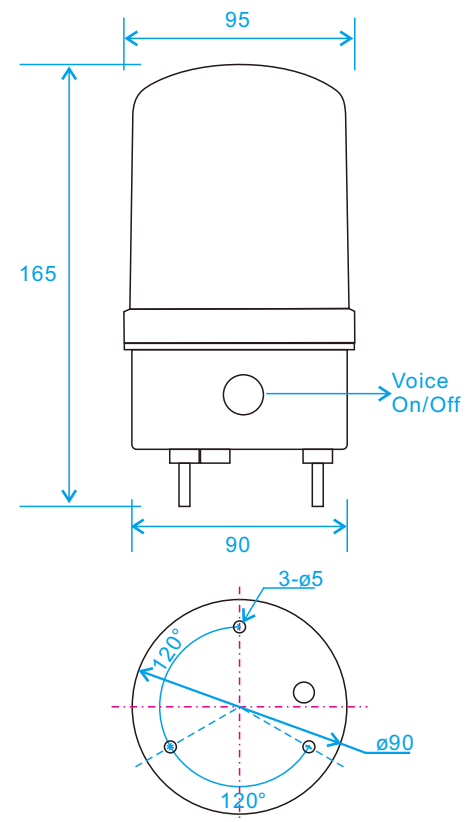
UWB tag adopts UWB wireless two-way high-frequency communication. A number of tag designs are made to meet different environmental conditions. The technology and application enable to detect unexpected incidents and to monitor real-time locations of mobile objects. Besides, the provision of API enables to integrate with customer's existing software. The RTLS system is designed to be scalable so that it can be easily deployed for tracking hundreds of objects. The firmware and hardware can be customized for customer's requirements.



■ Specifications

1. Protocol & Frequency : 802.15.4a UWB 3.25GHz~6.75GHz
2. Coverage : Maximum 100M line-of-sight
3. EIRP : -1.60dBm / 50mHz
4. Antenna gain : 2dBi
5. Alarm mode: Horn tweeter and led rotation alarm
6. Installation mode: Magnetic suction or wall-hanging
7. Power : Lithium battery 1800mHa(work-conserving);
DC +12V(Charging LED indication, charging red, full of blue)
8. Dimention & Weights : body 95×90×165(mm)/ 450g
(Without bracket and wire)
9. Protection level : IP55,Dustproof and waterproof,
suitable for harsh environments
10. Model No : UTAG-SL90F-M
11. Applied area: Assets positioning and located alarm
12. Function description: It includes gsensor, loudspeaker
(adjustable high pitch, maximum volume ≥ 110 dB) and
led rotation alarm (standard configuration), which can
expand PA (optional) for the functional needs of the
environment.

■ Dimention



- * Allowable error of dimension: $\pm 5\%$
- * The dimensional tolerance shall be subject to the actual product quantity

